



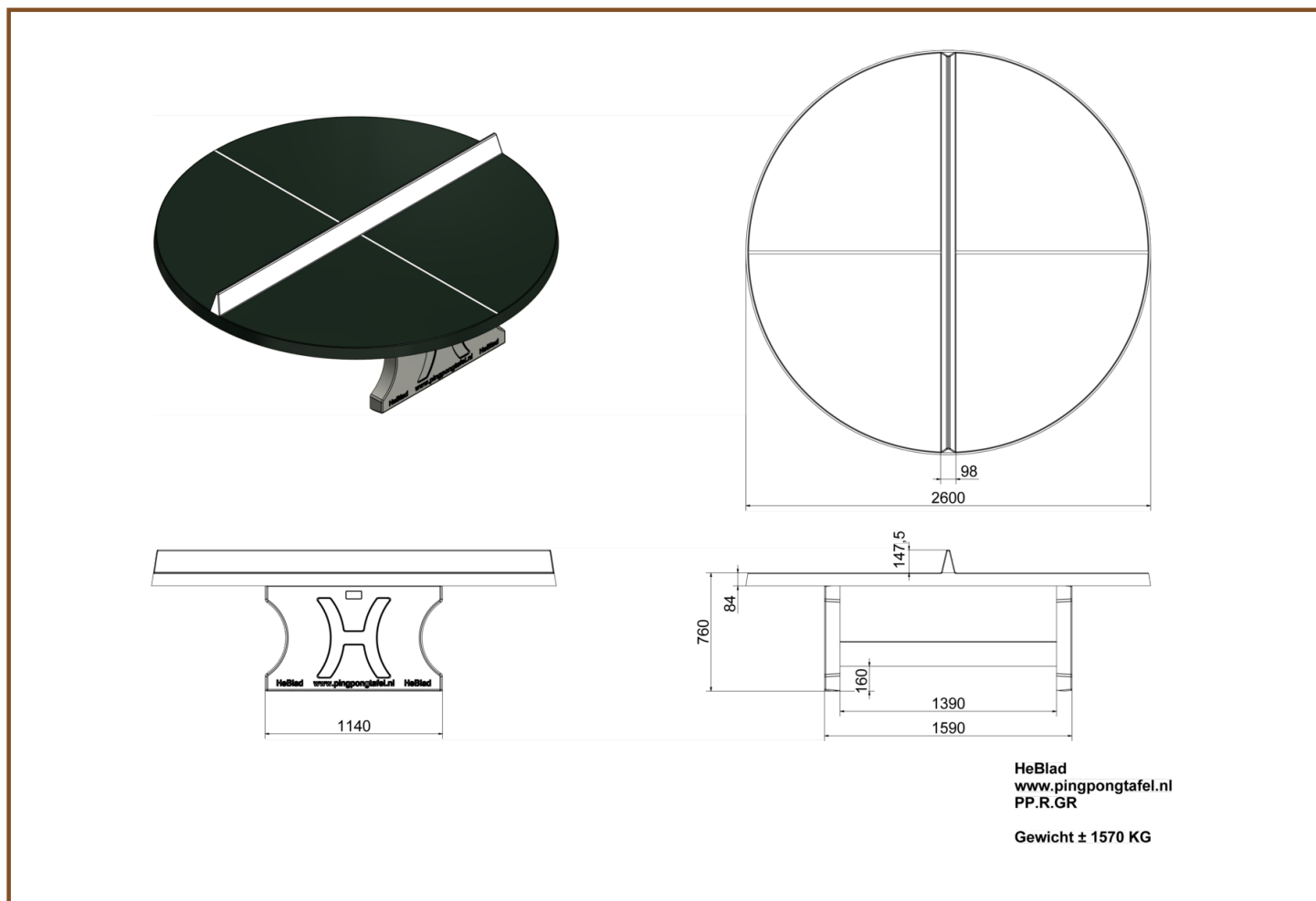
Ping-pong table round with green playing surface

Product code: PP.R.GR

Create space on the playing ground, because this extra large, round ping-pong table attracts attention through its beautiful design. With a diameter of 260 cm is almost one and a half times bigger than a normal rectangular table. Suitable for sport and play for up to 8 players. Due to its size this table offers a lot of playing possibilities.

The table is treated with a green two-component lacquer. The middle line and the "net" are in white lacquer. The table is weatherproof and vandal-resistant.

20 May 2018 - Prices subject to change



Specifications Ping-pong table round with green playing surface

Product code	PP.R.GR	Hoogte speelblad	76 cm
Colour	Groen Gelakt	Nethoogte	14.75 cm
Afmeting speelblad	Ø 260 cm	Weight	1570 kg
Afmeting onderkant speelblad	Ø 264 cm	Pootafstand	149 cm (hart op hart)
Dikte speelblad	8.4 cm		

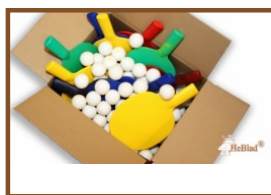
Related products



PP.AR.BL



PP.NT



B.DS.SP



OP.PP



B.S1